



L Series Coin Changers

9300-L A 110 volt logic changer with a 12-pin plug.

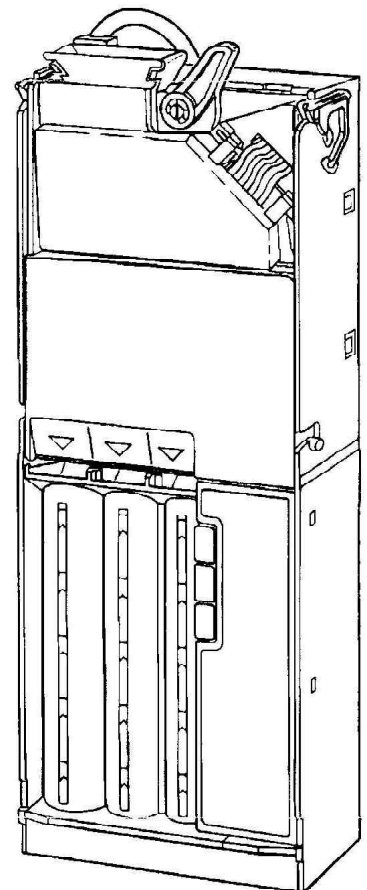
9302-L A 24 volt logic changer with a 12-pin plug.

9302-LF A 24 volt logic changer with a 15-pin plug.

FEATURES

- Accepts U.S. nickels, dimes, quarters and dollar coins.
- Pays out nickels, dimes and quarters from self-loading, high-capacity change tubes.
- Select high or low quarter tube level with the flip of a switch.
- Dollar coins can be rejected by simply flipping a switch.
- Heavy duty D.C. payout solenoids provide fast, accurate payout.
- State-of-the-art electronic logic system is designed for reliability and performance. The logic board is warranted for two years.
- Lightweight, rugged, plastic construction provides dependable, maintenance-free service.
- Provides the fastest and most accurate coin acceptance of any electronic unit available today.

CAUTION: Do not plug or unplug changer with power applied.



INSTALLATION INSTRUCTIONS

1. Remove the acceptor from the changer by releasing the acceptor studs from the changer latches and pulling the top of the acceptor forward and away from the changer. Unplug the ribbon cable from the changer. Free the lower acceptor studs from the changer housing. With the acceptor removed, set the key holes in the back of changer housing over the mounting screws in the vendor. Tighten snugly.
2. Set the desired changer options (see "Option Switch Setting" section below).
3. Replace the acceptor by inserting bottom acceptor studs into changer housing guides. Plug the acceptor ribbon cable into the changer. Press the top of acceptor into the changer housing until the top acceptor studs lock into the changer's acceptor latches.
4. Plug the changer into the vendor socket.
5. Load the coin tubes making sure all coins lie flat.
6. Test the changer with a variety of coins to ensure proper operation.

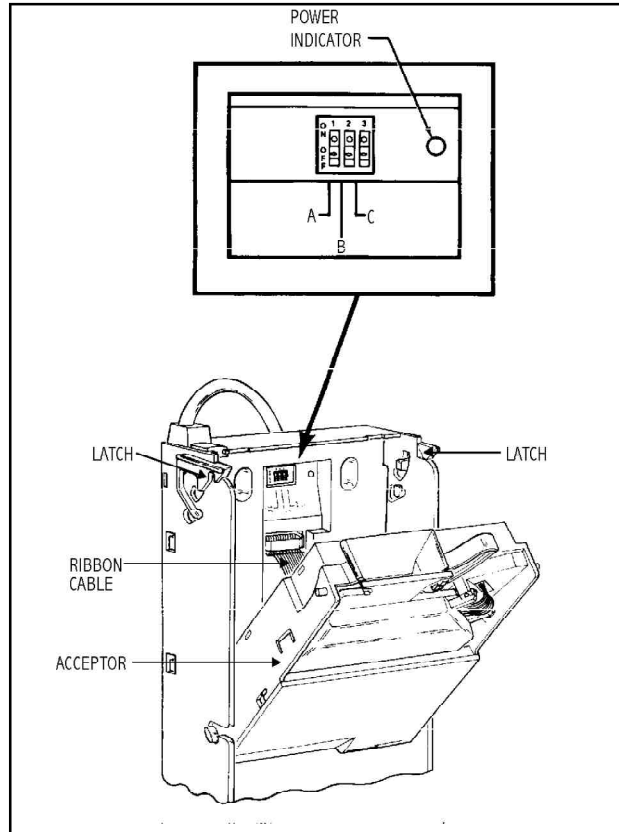


Figure 1

OPTION SWITCH SETTING

1. Unplug the coin changer.
2. Remove the acceptor.
3. Located in the upper portion of the changer is a single switch module with three rocker switches (see Figure 1). When the top of the rocker switch is pushed in, it is in the ON position. For information regarding switch settings, see Figure 2.
4. Replace the acceptor.
5. Plug the changer into the vendor socket.
6. Test with a variety of coins to ensure proper operation.

SWITCH A - NOT USED

SWITCH B - LO 25¢

Controls the level of the 25¢ change tube.

ON Quarters are directed to cash box once change tube has approximately 18-22 quarters.

OFF Quarters are put into change tube until change tube is full.

SWITCH C - \$ ACPT

Controls the acceptance of the dollar coin.

ON Dollar coin accepted.

OFF Dollar coin rejected.

Figure 2