



# 9370-S/9370-SR COIN CHANGER

## For Use With Data Retrieval System

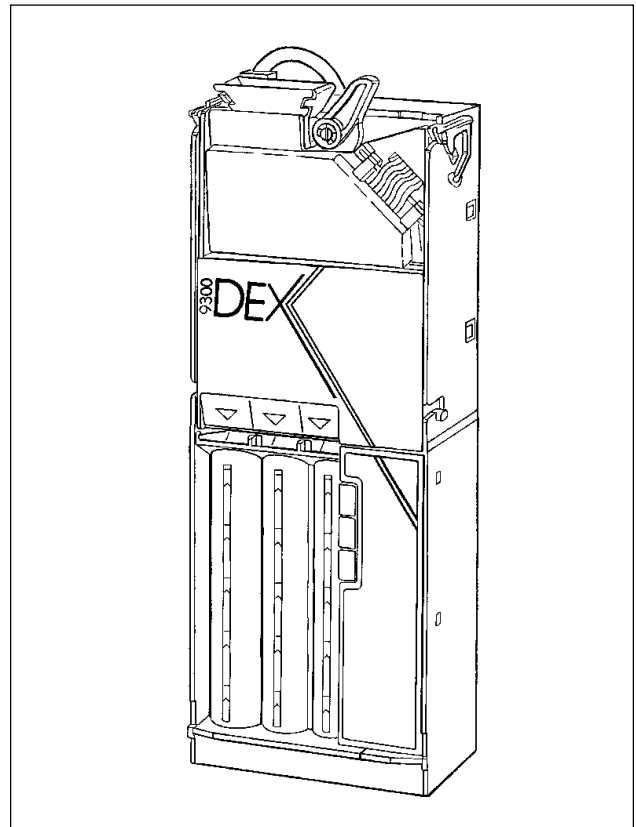
### FEATURES

- Accepts U.S. nickels, dimes, quarters and dollar coins.
- Interfaces with data retrieval systems.
- Directly interfaces with bill acceptors.
- Pays out nickels, dimes and quarters from self-loading, high-capacity change tubes in the least number of coins available.
- Select high or low quarter tube level with the flip of a switch.
- Select any vend price from 5¢ to \$12.75 in 5¢ increments using a single price-switch module.
- Dollar coins can be rejected by simply flipping a switch.
- Heavy duty D.C. payout solenoids provide fast, accurate payout.
- Field tunable.
- Select escrow-to-vend or escrow-to-select by simply flipping a switch.
- State-of-the-art electronic logic system is designed for reliability and performance. The logic board is warranted for two years.
- Lightweight, rugged plastic construction provides dependable, maintenance-free service.
- Provides the fastest and most accurate coin acceptance of any electronic unit available today.

### INSTALLATION INSTRUCTIONS

**NOTE:** When using a data retrieval system with the 9370-S, the adaptor harness (part number 406895) must be grounded or damage can occur to the system.

1. Remove the acceptor from the changer by releasing acceptor studs from changer latches and pulling the top of the acceptor forward and away from changer. Unplug ribbon cable from changer. Free lower acceptor studs from changer housing. With the acceptor removed, set key holes in back of
2. Set the desired vend price and changer options (see "Vend Price and Option Switch Setting").
3. Replace the acceptor by inserting bottom acceptor studs into changer housing guides. Plug the acceptor ribbon cable into the changer. Press top of acceptor into changer housing until top acceptor studs lock into changer's acceptor latches.
4. Connect changer to validator per validator instructions. Plug changer into 8-pin vendor socket.
5. Load coin tubes making sure all coins lie flat.
6. Test changer with a variety of coins to ensure proper operation.



## VEND PRICE AND OPTION SWITCH SETTING

1. Unplug the coin changer.
2. Remove the acceptor.
3. Located in the upper portion of the changer is a single switch module with 12 rocker switches (see Figure 1). When the top of the rocker switch is pushed in, it is in the ON position. The switches correspond as follows:

1=5¢	7=\$3.20
2=10¢	8=\$6.40
3=20¢	9=Not Used
4=40¢	10=\$ coin acceptance
5=80¢	11=LO 25¢
6=\$1.60	12=Escrow until select

4. The vend price is set by adding the value of switches 1-8 which are in the ON position.  
**Example:** Switches 1, 3 and 4 in the ON position = 65¢ vend price.
5. Set switches 1-8 to the desired vend price. Make sure vend price setting on changer corresponds to vend price indicated on the front of the vendor.
6. Set option switches 9-12 to the desired settings.

<u>9-Not Used</u>	
<u>10-\$ACPT</u>	ON Dollar coin will be accepted. OFF Dollar coin will be rejected.
<u>11-LO 25¢</u>	ON Quarters are directed to cash box once change tube has approximately 22-28 quarters. OFF Quarters are put into change tube until change tube is full.
<u>12-ESC-SEL</u>	ON Used for cigarette machines. Changer allows complete escrow until selection and delivery has been made. OFF Changer allows escrow until vend price is accumulated.

7. Replace the acceptor.
8. Plug the changer into the vendor's 8-pin socket.
9. Test with a variety of coins to ensure proper operation.

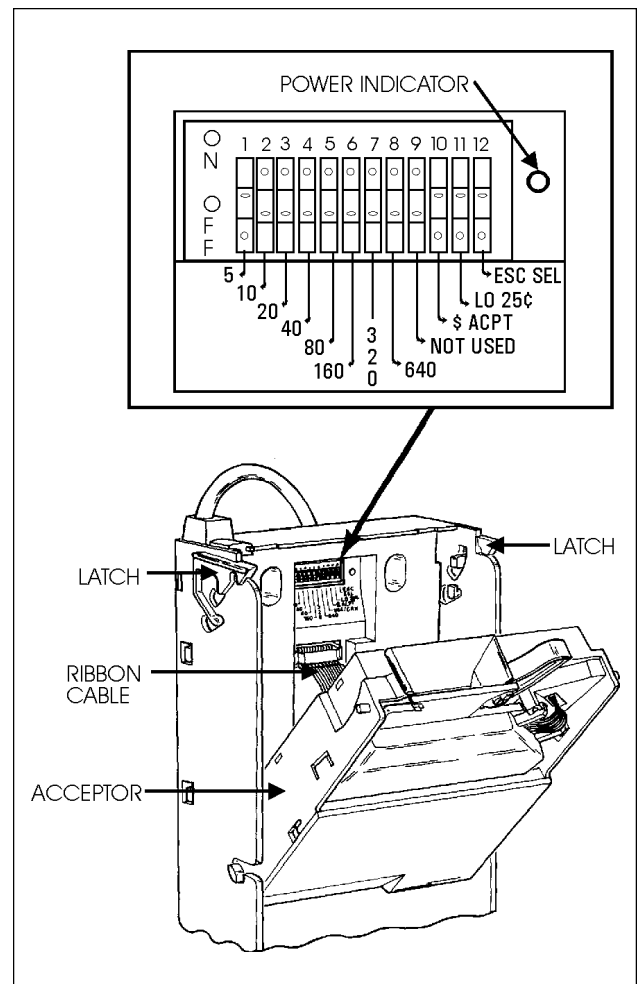


Figure 1



### COIN ACCEPTORS, INC.

300 Hunter Avenue  
St. Louis, MO 63124-2013  
(314) 725-0100

### COIN ACCEPTORS, CANADA

237 Finchdene Square  
Scarborough (Toronto), Ontario M1X 1B9  
(416) 297-5520