



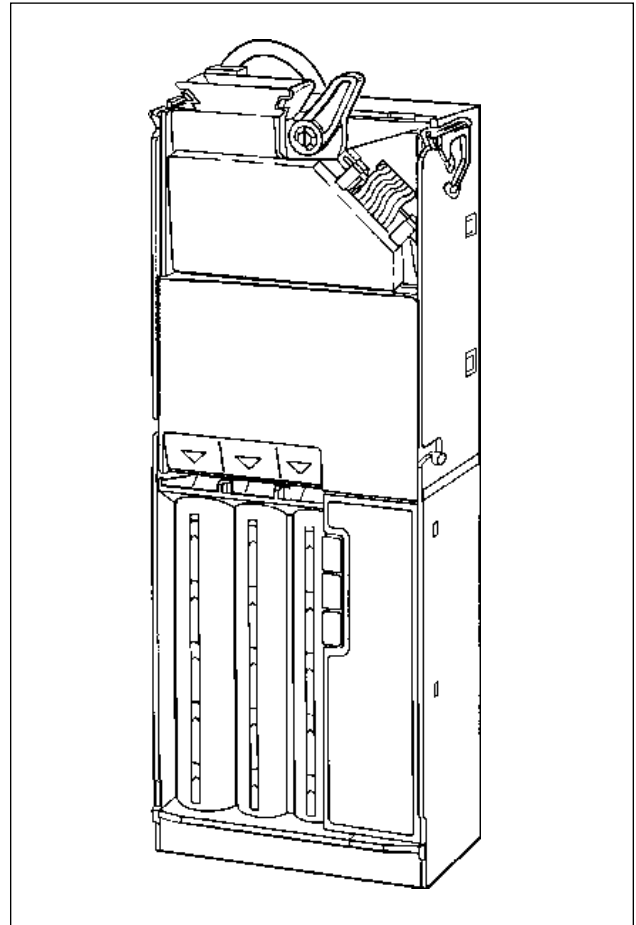
# THE 9360-S COIN CHANGER

## For Use With Bill Validators

### FEATURES

---

- Directly interfaces with a bill validator, credit display, and/or cash accountability.
- Pays out nickels, dimes and quarters from self-loading, high-capacity change tubes in the least number of coins available.
- Select high or low quarter tube level with the flip of a switch.
- Select any vend price from 5¢ to \$12.75 in 5¢ increments using a single price-switch module.
- Dollar coins and/or Canadian coins can be rejected by simply flipping a switch.
- Heavy duty D.C. payout solenoids provide fast, accurate payout.
- Field tunable.
- Select escrow-to-vend or escrow-to-select by simply flipping a switch.
- State-of-the-art electronic logic system is designed for reliability and performance. The plug-in module is warranted for two years.
- Lightweight, rugged plastic construction provides dependable, maintenance-free service.
- Provides the fastest and most accurate coin acceptance of any electronic unit available today.



### INSTALLATION INSTRUCTIONS

---

1. Remove the acceptor from the changer by releasing acceptor studs from changer latches and pulling the top of the acceptor forward and away from changer. Unplug ribbon cable from changer. Free lower acceptor studs from changer housing. With the acceptor removed, set key holes in back of changer housing over the mounting screws in the vendor. Tighten snugly.
2. Set the desired vend price and changer options (see "Vend Price and Option Switch Setting").
3. Replace the acceptor by inserting bottom acceptor studs into changer housing guides. Plug the acceptor ribbon cable into the changer. Press top of acceptor into changer housing until top acceptor studs lock into changer's acceptor latches.
4. Connect changer to desired options. Plug changer into 8-pin vendor socket.
5. Load coin tubes making sure all coins lie flat.
6. Test changer with a variety of coins to ensure proper operation and vend price setting.

## VEND PRICE AND OPTION SWITCH SETTING

1. Unplug the coin changer.
2. Remove the acceptor.
3. Located in the upper portion of the changer is a single switch module with 12 rocker switches (see Figure 1). When the top of the rocker switch is pushed in, it is in the ON position. The switches correspond as follows:

1= 5¢	7= \$3.20
2= 10¢	8= \$6.40
3= 20¢	9= USA/CAN
4= 40¢	10= \$ Coin Acceptance
5= 80¢	11= LO 25¢
6= \$1.60	12= Escrow Until Select

4. The vend price is set by adding the value of switches 1 through 8 which are in the ON position. For example, switches 1, 3 and 4 in the ON position equals a 65¢ vend price.
5. Set switches 1 through 8 to desired vend price. Make sure vend price set on changer corresponds to vend price indicated on front of vendor.
6. Set option switches 9 through 12 to desired settings.

9-USA/CAN ON U.S. and Canadian coins will be accepted.  
OFF Canadian coins will be rejected.

10-\$ACPT ON Dollar coin will be accepted.  
OFF Dollar coin will be rejected.

11-LO 25¢ ON Quarters are directed to the cash box once change tube has approximately 18 quarters.  
OFF Quarters are put into change tube until change tube is full.

12-ESC-SEL ON Used for cigarette machines. Changer allows complete escrow until selection and delivery has been made.  
OFF Changer allows escrow until vend price is accumulated.

7. Replace acceptor.
8. Plug changer into vendor 8-pin socket.
9. Test with a variety of coins to ensure proper operation.

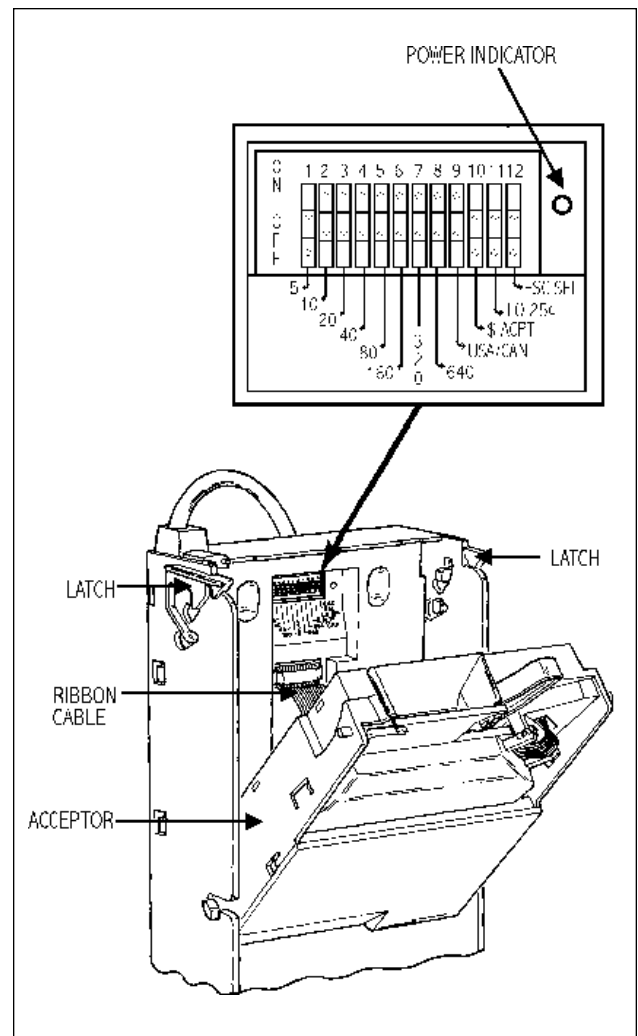


Figure 1



COIN ACCEPTORS, INC.  
300 Hunter Avenue  
St. Louis, MO 63124-2013  
(314) 725-0100

COIN ACCEPTORS, CANADA  
237 Finchdene Square  
Scarborough (Toronto), Ontario M1X 1B9  
(416) 297-5520

THIS COINCO PRODUCT IS COVERED BY THE  
FOLLOWING PATENTS:

United States  
4,254,857 4,646,904 4,763,769